

NEPTUNE SAND FILTERS



DESIGNED BY AUSTRALIANS
FOR AUSTRALIAN CONDITIONS

Neptune
for swimming pools

By **Pool
Pro**

Simply A Better Choice!

SCAN FOR
MORE INFO



Neptune Sand Filters are made of spun fibreglass, are built to last and include many great features:

- Clamp lock designed to allow 360 degree rotation to assist with installation.
- Top diffuser ensures even distribution of water over the filter media.
- Oil filled centre back pressure gauge.
- Materials are reliable, non-corrosive and designed for all weather conditions.
- UV treated to be able to work in direct sunlight.
- Suits all filter media; sand, zeolite and glass.
- Warranty: 10 years on tank, 2 years on MPV, 1 year on all other parts.



PRODUCT DIMENSIONS

Model	A (mm)	B (mm)	C (mm)	D (mm)	E (mm)	F (mm)	Filter media quantity required (guide only)			
							Sand kg / 20kg bags	Zeolite kg / 15kg bags	Coarse Glass kg / 15kg bags	Fine Glass kg / 15kg bags
20 inch - SF500	535	500	845	670	730	235	80 / 4	60 / 4	25 / 2	40 / 3
25 inch - SF650	635	500	950	775	835	300	140 / 7	105 / 7	45 / 3	60 / 4
28 inch - SF700	723	500	1092	877	960	390	220 / 11	165 / 11	60 / 4	105 / 7
32 inch - SF800	800	780	1200	1002	1085	425	360 / 18	270 / 18	105 / 7	165 / 11

This is a guide only. Sand size may differ from country to country and therefore sand weights may vary.

DIAGRAM - SF500 / SF650

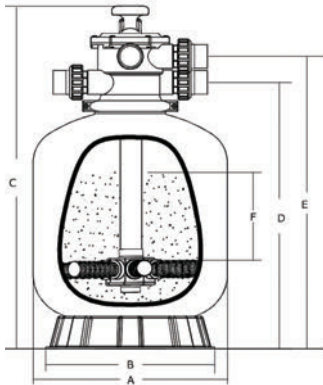
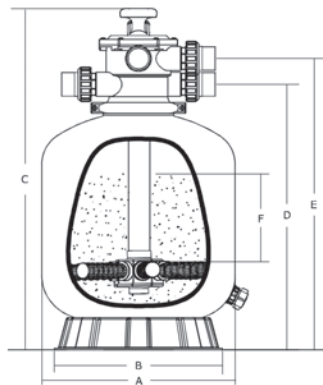


DIAGRAM - SF700 / SF800



PRODUCT INFORMATION

Filter Size	Model	Valve Port Size	Filter Area (m ²)	Max Flow Rate
20 inch	SF500	40mm / 1.5"	0.22	185Lpm 11.10m ³ /h
25 inch	SF650	40mm / 1.5"	0.32	260Lpm 15.60m ³ /h
28 inch	SF700	50mm / 2.0"	0.40	336Lpm 20.16m ³ /h
32 inch	SF800	50mm / 2.0"	0.50	415Lpm 24.9m ³ /h

TECHNICAL INFORMATION

FUNCTIONS : Refer to 6-Way Multi-port Valve

Max Working Pressure	250kPa / 36psi / 2.5bar
Factory Testing Pressure	400kPa / 58psi / 4.0bar
Max Water Temperature	43°C (109°F)
Size of Silica Sand	0.5-0.8mm
Max Filtration Velocity	50mm ³ / h / m ²

AVAILABLE FROM
YOUR LOCAL POOL
PRO STOCKIST